

LABORHITS

Vortexer LLG-uniTEXER

One head - multiples uses

Touch and permanent mixing modes

Three speeds levels



Features

- Touch function for short-term operation
- Carrier head is very easy to clean
- Precise speed control via a variable rotary switch
- Elastomeric feet ensure excellent stability on the bench and quiet operation
- Modern design
- Robust housing made of ABS



Specifications

Type of movement: orbital/vortex

Orbital diameter: 3,7 mm

Speed: 1000, 2000 and 3000 rpm

Dimensions (W x D x H): 173 x 198 x 198 mm

Weight: 3,8 kg

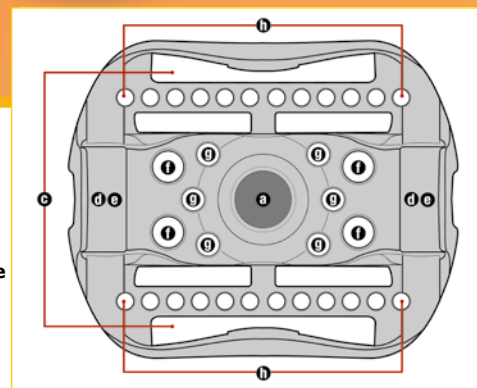
Protection class: IP 20

Power supply: 220 V, 50/60 Hz

Warrenty: 3 years

Type	PK	Cat. No.
LLG-uniTEXER	1	6.261 826

6 Different Sizes of Tubes, including standard assay plate



a	Center pad area for hand held mixing
b	1 x Assay plate (to be used with retention cords)
c	2 x 50 ml conical tubes (horizontally mounted)
d	2 x 15 ml conical tubes (horizontally mounted)
e	2 x 5 ml tubes (horizontally mounted in the same retention space as 15 ml)
f	4 x 1.5/2 ml microfuge tubes (vertically mounted)
g	6 x 0.5 ml microfuge tubes (vertically mounted)
h	24 x 0.2 ml microfuge tubes (strip tubes) (vertically mounted)